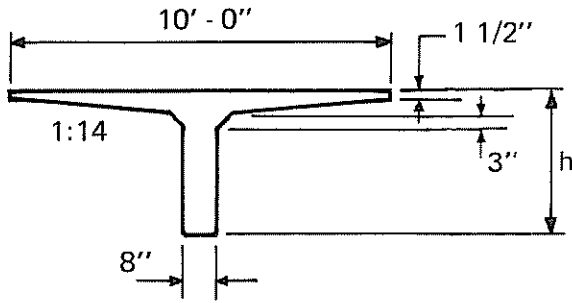


SINGLE TEE TYPE "B" LOAD TABLE

10' - 0" Wide
Lightweight Concrete



| Section Properties | | | | | | | |
|--------------------|------------|--------------------------|--------------------------|-------------------------|---------------------------------------|---------------------------------------|-------------------------|
| Designation | h (in.) | A (in. ²) | I (in. ⁴) | y _b (in.) | Z _b (in. ³) | Z _t (in. ³) | w _t (plf) |
| 10LST24 | 24 | 590 | 22,914 | 18.73 | 1223 | 4348 | 471 |
| 10LST28 | 28 | 622 | 35,005 | 21.67 | 1662 | 5688 | 497 |
| 10LST32 | 32 | 654 | 53,095 | 24.51 | 2166 | 7089 | 522 |
| 10LST36 | 36 | 686 | 74,577 | 27.27 | 2735 | 8543 | 548 |
| 10LST40 | 40 | 718 | 100,819 | 29.97 | 3364 | 10,052 | 573 |
| 10LST44 | 44 | 750 | 132,171 | 32.61 | 4053 | 11,604 | 600 |
| 10LST48 | 48 | 782 | 168,968 | 35.19 | 4802 | 13,190 | 625 |

Key

- 33 – Safe superimposed load, psf
- 1.93 – Anticipated ~~initial~~ *long term* camber, in.
- 3.26 – Deflection due to superimposed load shown, in.

Table of Safe Superimposed Loads, Cambers and Deflections

No Topping

| Designation | No. Strand | e _e e _c | Span, ft. | | | | | | | | | | | | | | | | | | | | | | | |
|-------------|------------|----------------------------------|-----------|------|------|------|------|------|------|------|------|------|------|------|------|------|------|----|----|-----|--|--|--|--|--|--|
| | | | 66 | 68 | 70 | 72 | 74 | 76 | 78 | 80 | 82 | 84 | 86 | 88 | 90 | 92 | 94 | 96 | 98 | 100 | | | | | | |
| 10LST24 | 14 | 4.73 15.23 | 43 | 37 | 33 | 28 | 24 | | | | | | | | | | | | | | | | | | | |
| | | | 2.53 | 2.33 | 2.06 | 1.70 | 1.21 | | | | | | | | | | | | | | | | | | | |
| | | | 2.79 | 2.76 | 2.71 | 2.63 | 2.52 | | | | | | | | | | | | | | | | | | | |
| 10LST28 | 16 | 5.67 17.92 | | | | | 43 | 38 | 33 | 29 | 26 | | | | | | | | | | | | | | | |
| | | | | | | | 2.64 | 2.41 | 2.11 | 1.74 | 1.24 | | | | | | | | | | | | | | | |
| | | | | | | | 3.12 | 3.08 | 3.02 | 2.94 | 2.83 | | | | | | | | | | | | | | | |
| 10LST32 | 18 | 6.29 20.51 | | | | | | | 46 | 41 | 37 | 33 | 30 | 26 | | | | | | | | | | | | |
| | | | | | | | | | 2.77 | 2.55 | 2.27 | 1.93 | 1.51 | 0.97 | | | | | | | | | | | | |
| | | | | | | | | | 3.41 | 3.38 | 3.33 | 3.26 | 3.17 | 3.06 | | | | | | | | | | | | |
| 10LST36 | 20 | 6.87 23.02 | | | | | | | | | | | 48 | 44 | 40 | 36 | 32 | | | | | | | | | |
| | | | | | | | | | | | | | 2.83 | 2.51 | 2.33 | 2.00 | 1.60 | | | | | | | | | |
| | | | | | | | | | | | | | 3.67 | 3.65 | 3.60 | 3.54 | 3.46 | | | | | | | | | |

| Designation | No. Strand | e _e e _c | Span, ft. | | | | | | | | | | | | | | | | | |
|-------------|------------|----------------------------------|-----------|------|------|------|------|------|------|------|------|------|------|------|------|------|------|--|--|--|
| | | | 98 | 100 | 102 | 104 | 106 | 108 | 110 | 112 | 114 | 116 | 118 | 120 | 122 | 124 | | | | |
| 10LST40 | 22 | 7.61 25.47 | 55 | 50 | 46 | 42 | 38 | 35 | 31 | | | | | | | | | | | |
| | | | 3.07 | 2.88 | 2.64 | 2.36 | 2.03 | 1.63 | 1.16 | | | | | | | | | | | |
| | | | 3.94 | 3.93 | 3.90 | 3.85 | 3.79 | 3.72 | 3.62 | | | | | | | | | | | |
| 10LST44 | 22 | 9.34 28.11 | 67 | 62 | 57 | 53 | 49 | 45 | 41 | | | | | | | | | | | |
| | | | 3.16 | 3.04 | 2.89 | 2.71 | 2.48 | 2.22 | 1.88 | | | | | | | | | | | |
| | | | 3.69 | 3.71 | 3.71 | 3.70 | 3.67 | 3.64 | 3.58 | | | | | | | | | | | |
| 10LST48 | 24 | 9.86 30.44 | | | | | 72 | 67 | 62 | 57 | 53 | 49 | 45 | 42 | 38 | 35 | 32 | | | |
| | | | | | | | 3.27 | 3.15 | 3.01 | 2.84 | 2.63 | 2.38 | 2.09 | 1.73 | 1.32 | 0.87 | 0.37 | | | |
| | | | | | | | 3.91 | 3.93 | 3.93 | 3.93 | 3.91 | 3.88 | 3.84 | 3.78 | 3.72 | 3.63 | 3.53 | | | |

*Capacity governed by ultimate strength Values below heavy line require strengths higher than 3500 psi
 f_c = 5000 psi f_{pu} = 270,000 psi