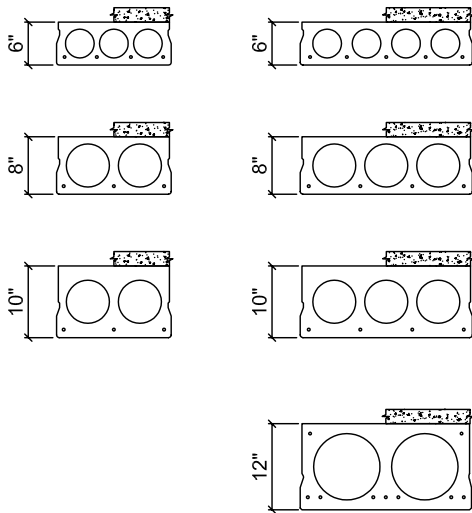


Trade name Flexicore

Licensing Organization: The Flexicore Co., Inc., Dayton, Ohio



Section depth x width	Untopped				with 2" topping		
	$A$ in. <sup>2</sup>	$y_b$ in.	$I$ in. <sup>4</sup>	$wt$ lb/ft <sup>2</sup>	$y_{cb}$ in.	$I_c$ in. <sup>4</sup>	$wt$ lb/ft <sup>2</sup>
6" x 1'-4"	55	3.00	243	43	4.23	523	68
6" x 2'-0"	86	3.00	366	45	4.20	793	70
8" x 1'-4"	73	4.00	560	57	5.26	1028	82
8" x 2'-0"	110	4.00	843	57	5.26	1547	82
10" x 1'-4"	105	5.00	1217	82	6.13	1936	107
10" x 2'-0"	157	5.00	1691	82	6.56	2604	107
12" x 2'-0"	141	6.00	2595	73	7.46	4049	98

Note: All sections are not available from all producers. Check availability with regional manufacturers.