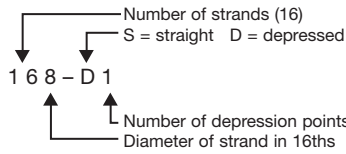


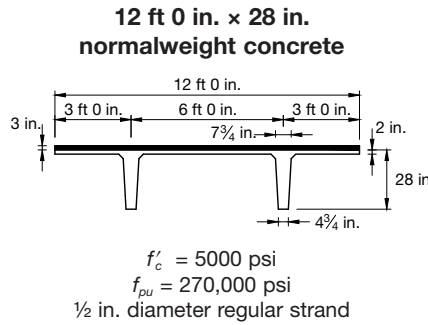
3.4 Double-Tee Load Tables (cont.)

Strand Pattern Designation



Load capacities shown include dead load of 10 lb/ft<sup>2</sup> for untopped members and 15 lb/ft<sup>2</sup> for topped members. Remainder is live load. Long-time cambers include superimposed dead load but do not include live load.

- Key
- 135 – Superimposed service load capacity, lb/ft<sup>2</sup>
- 0.9 – Estimated camber at erection, in.
- 1.1 – Estimated long-time camber, in.



Section Properties	
No topping	3 in. topping (f'c = 3000 psi)
A = 613 in. <sup>2</sup>	–
I = 43,700 in. <sup>4</sup>	62,960 in. <sup>4</sup>
y <sub>b</sub> = 20.13 in.	23.44 in.
y <sub>t</sub> = 7.87 in.	7.56 in.
S <sub>b</sub> = 2171 in. <sup>3</sup>	2686 in. <sup>3</sup>
S <sub>t</sub> = 5552 in. <sup>3</sup>	8326 in. <sup>3</sup>
wt = 639 lb/ft	1089 lb/ft
DL = 53 lb/ft <sup>2</sup>	91 lb/ft <sup>2</sup>
V/S = 1.57 in.	

Check with regional producers for availability.

12DT28  
No topping

Table of superimposed service load capacity, lb/ft<sup>2</sup>, and cambers, in.

Strand pattern	y <sub>s</sub> (end) y <sub>s</sub> (center), in.	Span, ft																							
		40	42	44	46	48	50	52	54	56	58	60	62	64	66	68	70	72	74	76	78	80	82	84	
108-S	6.00	135	119	104	92	83	74	66	58	51	45	40	35	30											
	6.00	0.9	0.9	0.9	1.0	1.0	1.0	1.0	1.0	1.0	1.0	0.9	0.8	0.7											
128-S	7.00	160	140	124	112	100	90	80	72	64	58	50	44	40	35	30									
	7.00	1.0	1.0	1.1	1.2	1.2	1.3	1.4	1.5	1.5	1.3	1.3	1.2	1.2	1.1	0.9	0.9								
148-S	8.00	180	160	142	126	112	102	92	82	74	66	58	52	48	42	38	34	30							
	8.00	1.1	1.2	1.2	1.3	1.3	1.4	1.5	1.5	1.5	1.5	1.4	1.4	1.4	1.3	1.2	1.0	0.9							
168-S	9.00	196	175	156	140	124	112	100	90	80	74	67	62	54	49	43	38	34	29						
	9.00	1.2	1.3	1.4	1.4	1.5	1.5	1.6	1.6	1.7	1.8	1.7	1.7	1.6	1.5	1.4	1.2	1.1	0.9						
168-D1	13.00				180	162	146	132	120	110	100	90	80	77	66	62	54	50	44	40	36	33	30		
	3.75				1.8	1.9	2.0	2.0	2.1	2.2	2.2	2.2	2.3	2.3	2.3	2.2	2.1	2.1	1.9	1.8	1.6	1.4	1.1		
188-D1	14.39									136	124	112	102	94	86	78	72	64	58	54	48	44	39	35	31
	4.00									2.4	2.5	2.6	2.6	2.6	2.6	2.6	2.6	2.5	2.4	2.2	2.1	1.9	1.7	1.5	

12DT28 + 3

Table of superimposed service load capacity, lb/ft<sup>2</sup>, and cambers, in.

3 in. normalweight topping

Strand pattern	y <sub>s</sub> (end) y <sub>s</sub> (center), in.	Span, ft																						
		40	42	44	46	48	50	52	54	56	58	60	62	64	66	68	70	72						
108-S	6.00	132	114	98	84	72	59	50	42	35	25													
	6.00	0.9	0.9	1.0	1.1	1.1	1.1	1.1	1.1	1.1	1.0													
128-S	7.00	160	140	121	108	92	79	67	58	48	38	28												
	7.00	1.0	1.1	1.2	1.2	1.3	1.3	1.3	1.3	1.3	1.3	1.3												
148-S	8.00	182	160	141	122	108	94	82	70	57	47	37	28											
	8.00	1.1	1.2	1.3	1.4	1.4	1.5	1.5	1.5	1.5	1.5	1.5	1.5											
168-S	9.00	200	176	154	136	122	106	90	78	66	54	44	34	24										
	9.00	1.2	1.3	1.4	1.4	1.5	1.6	1.6	1.6	1.7	1.7	1.8	1.6	1.6										
168-D1	13.00				202	178	154	136	122	113	101	88	76	64	54	46	37	29						
	3.75				1.7	1.8	1.9	2.0	2.1	2.2	2.2	2.3	2.3	2.3	2.3	2.3	2.2	2.2						
188-D1	14.39									144	128	114	101	88	76	65	54	46	38	30				
	4.00									2.3	2.4	2.5	2.5	2.6	2.6	2.6	2.6	2.6	2.5	2.5				

Strength is based on strain compatibility; bottom tension is limited to 12 √f'c; see pages 3–8 through 3–11 for explanation.

Shaded values require release strengths higher than 3500 psi.